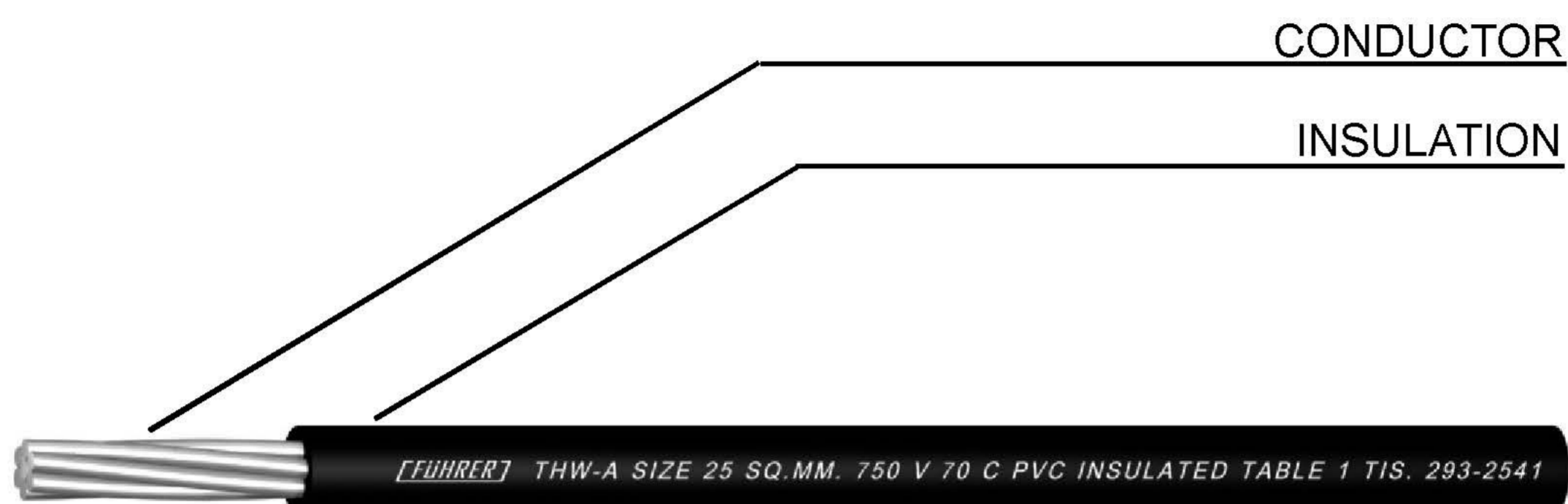


750 V 70°C PVC INSULATED ALUMINIUM CONDUCTOR, SINGLE CORE**CABLE STRUCTURE**

CONDUCTOR	:	Solid and stranded hard drawn aluminum wires, Sizes. 10 mm ² up to 500 mm ²
INSULATION	:	Heat resisting PVC Colour : Black
CLASSIFICATION	:	Maximum conductor temperature 70°C Circuit voltage not exceeding 750 volts
TESTING VOLTAGE	:	2,500 Volts
REFERENCE	:	TIS 293-2541 Table 1



THWA

Nominal Cross Sectional area (mm ²)	Number and diameter of wire (No./mm)	Insulation thickness (mm)	Approx. Overall diameter (mm)	Maximum Conductor Resistance at 20°C (Ω-Km)	Minimum insulation resistance at 20°C (MΩ-Km)	Maximum continuous current rating in free air (Ampere)	Cable weight (approx.) (Kg/Km)	Standard length (m)
10	1/3.49	1.1	5.9	3.08	0.038	50	50	500/D
10	7/1.32	1.1	6.4	3.08	0.034	52	55	500/D
16	1/4.43	1.1	6.8	1.91	0.032	67	70	500/D
16	7/1.68	1.1	7.4	1.91	0.028	69	80	500/D
25	7/2.12	1.3	9.2	1.20	0.027	92	120	500/D
35	7/2.49	1.3	10.5	0.868	0.023	113	160	500/D
50	7/2.90	1.5	12.0	0.641	0.023	135	210	500/D
50	19/1.76	1.5	12.5	0.641	0.023	135	210	500/D
70	19/2.12	1.5	14.0	0.443	0.020	173	280	500/D
95	19/2.49	1.7	16.5	0.320	0.019	218	390	500/D
120	19/2.80	1.7	18.0	0.253	0.017	257	470	500/D
120	37/2.01	1.7	18.0	0.253	0.017	258	470	500/D
150	37/2.23	1.9	20.0	0.206	0.017	298	600	500/D
185	37/2.50	2.1	22.0	0.164	0.017	351	700	500/D
240	61/2.23	2.3	25.0	0.125	0.016	426	900	500/D
300	61/2.49	2.5	28.0	0.100	0.016	498	1,100	500/D
400	61/2.82	2.7	32.0	0.0778	0.015	594	1,400	500/D
500	61/3.20	3.1	36.0	0.0605	0.015	708	1,900	500/D

C: Packing in coil.

D: Packing in drum.